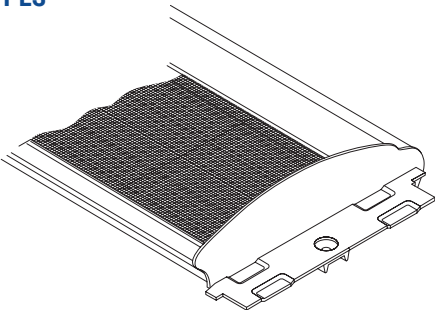


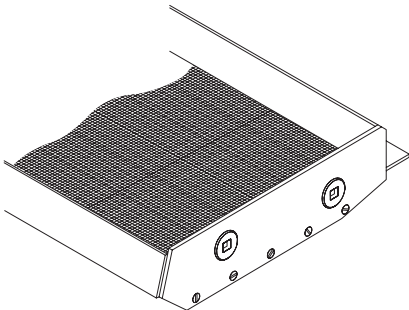
Parts

BASKET TYPES

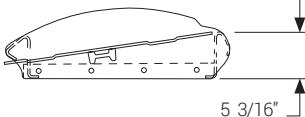
Single Bolt



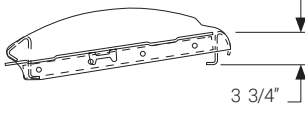
Two Bolt



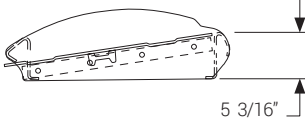
Flat Mesh



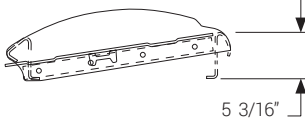
Short Rail



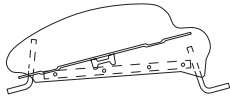
Incline Mesh



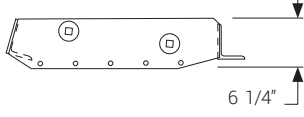
Short End Plate



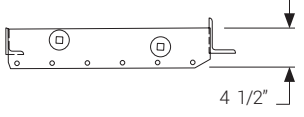
Heavy Duty



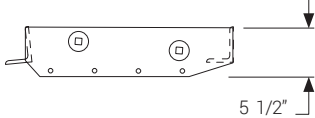
Standard



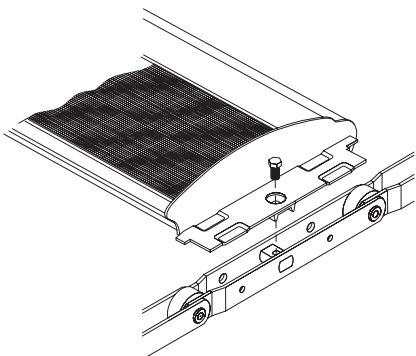
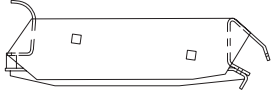
Short Rail



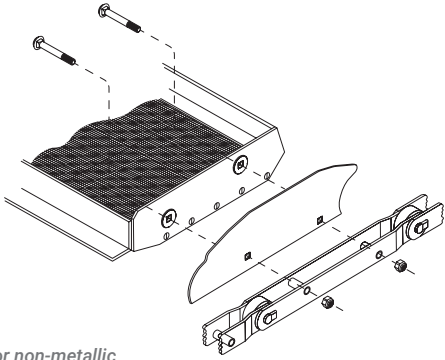
Rear Discharge



Rear Discharge



Single Bolt Attachment

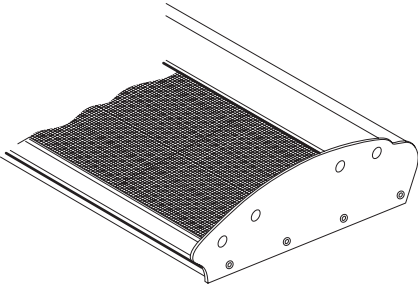


With steel or non-metallic removable seal plates

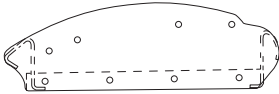
Two Bolt Attachment



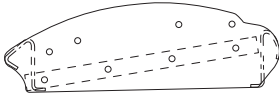
PARTS



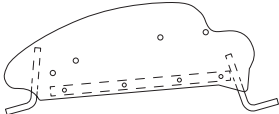
Four Bolt



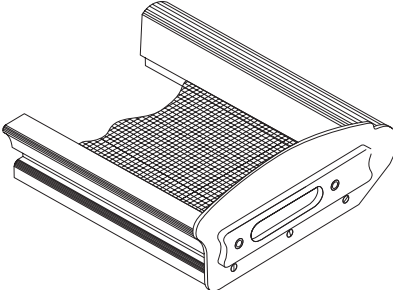
Flat Mesh



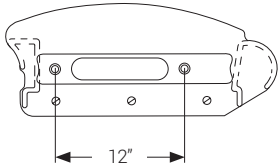
Incline Mesh



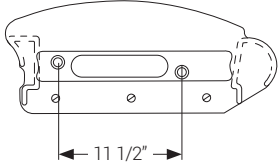
Heavy Duty



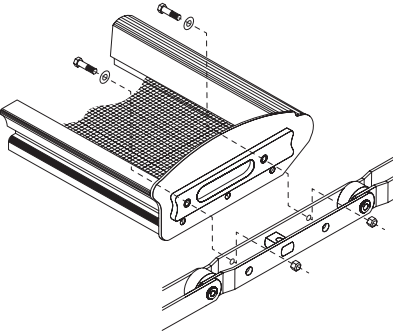
Non-Metallic



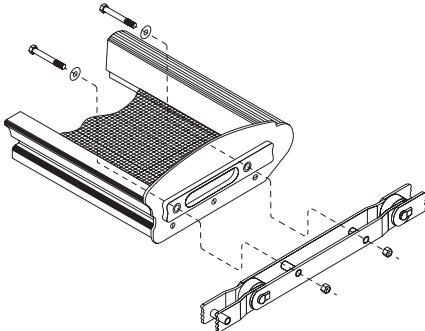
Style A



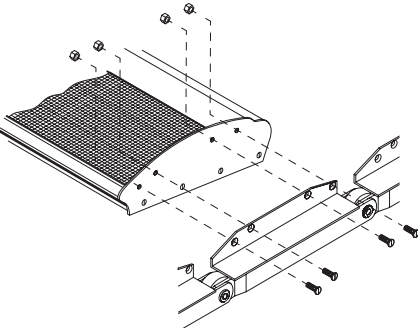
Style B



Style A – Non-Metallic Attachment

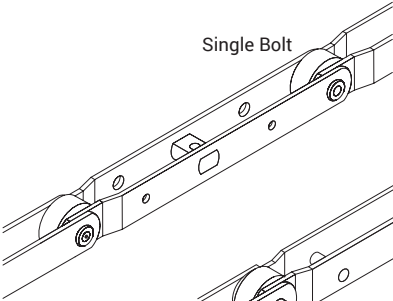


Style B – Non-Metallic Attachment

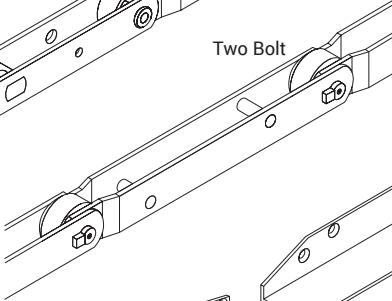


Four Bolt Attachment

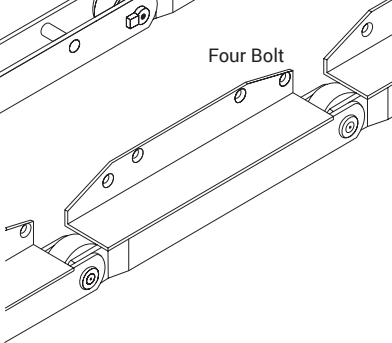
CARRIER CHAIN



Single Bolt



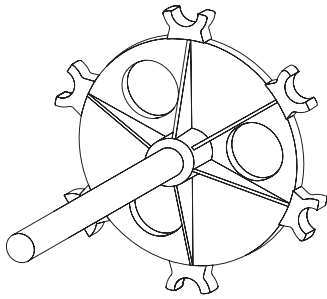
Two Bolt



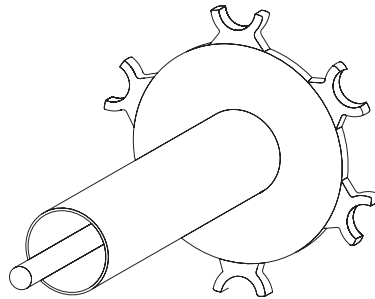
Four Bolt

HEAD SPROCKETS

Atlas-SSI stocks all types of head sprocket, regardless of the make or model of your screen.



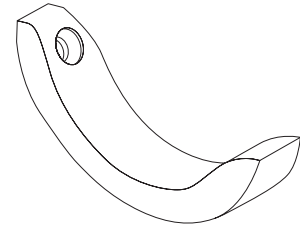
Standard Head Sprocket



Torque Tube Head Sprocket

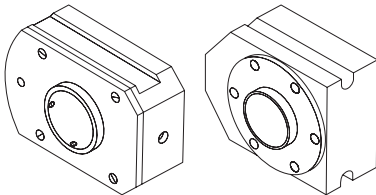
SPROCKET TOOTH INSERTS

Tooth inserts are available to fit all styles of head sprockets.

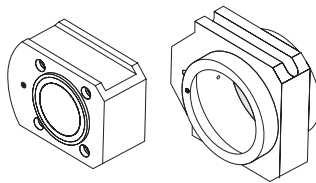


TAKE-UP BEARINGS AND HOUSINGS

Atlas-SSI stocks all types of take-up bearings and housings including Anti-Friction Roller Bearings, Bronze Bushings, and Non-Metallic Bushings.



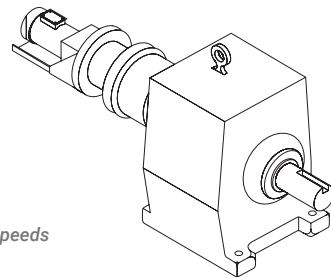
Anti-Friction Roller Bearings



Thordon or Bronze-Bushed Bearings

MOTOR / REDUCER ASSEMBLY

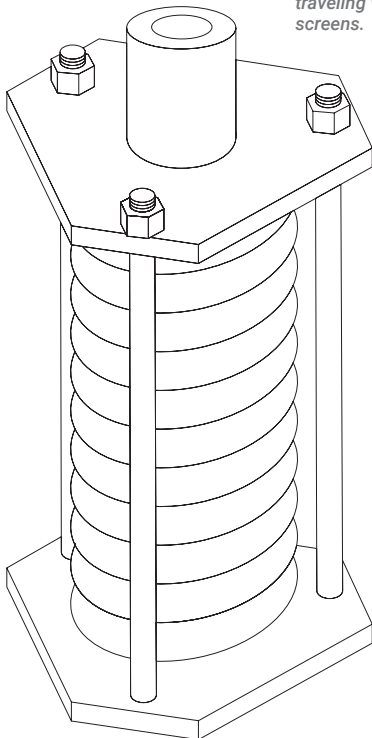
Large selection of motors, speeds, hp.



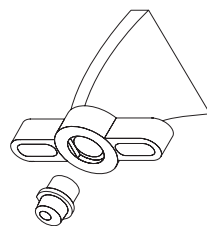
Variable Speeds Available

SPRING SUSPENSION

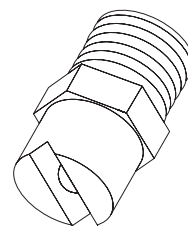
Sizes available to fit all sizes and models of traveling water screens.



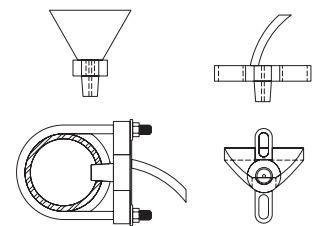
SPRAY WASH SYSTEMS



Non-Metallic Style Spray Nozzle



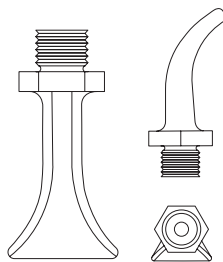
Vee-Jet Style Spray Nozzle



Cast 17-4 SS Spray Nozzle

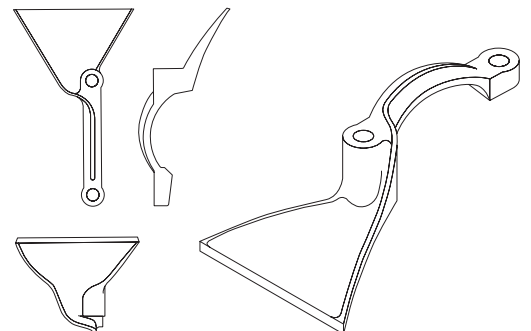
SPRAY WASH SYSTEMS

Heavy-duty cast bronze spray nozzles allow extra wear under abrasive conditions.



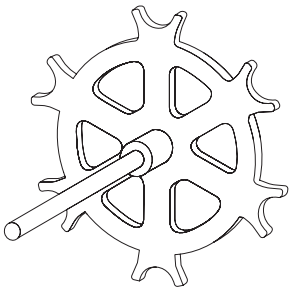
Cast Bronze Style Spray Nozzle

Cast Fan Style Spray Nozzle

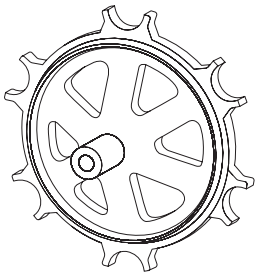


Atlas SSI can react to your emergency parts. No matter what the make or manufacturer of your traveling water screen, we stock the largest inventory of upgrade and exact replacement parts anywhere. All replacement and upgrade parts are guaranteed to fit exactly as the originally supplied parts.

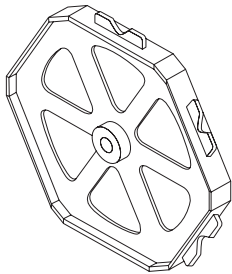
FOOT SPROCKETS



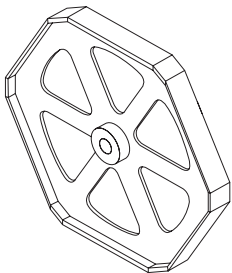
Positive Tracking Foot Sprocket



Cast Dished Foot Sprocket

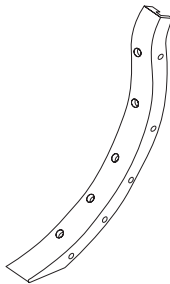


Cast Traction Wheel Foot Sprocket



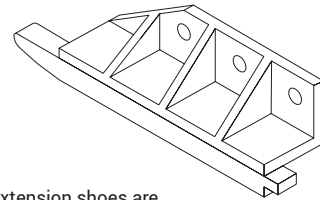
Cast Wear Rim Foot Sprocket

BOOT CASTING



Atlas-SSI stocks boot castings as well as Track and Filler Bars, depending on the make and model of your screen

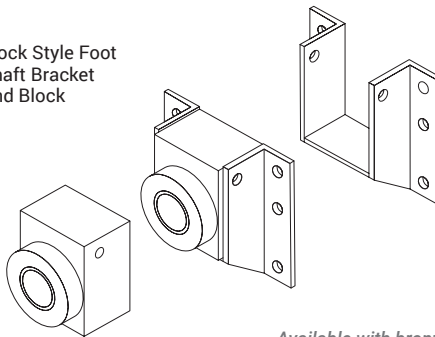
CAST EXTENSION SHOE



Extension shoes are available in carbon steel and stainless steel

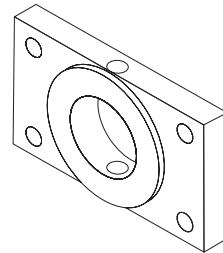
FOOT SHAFT ATTACHMENTS

Block Style Foot Shaft Bracket And Block

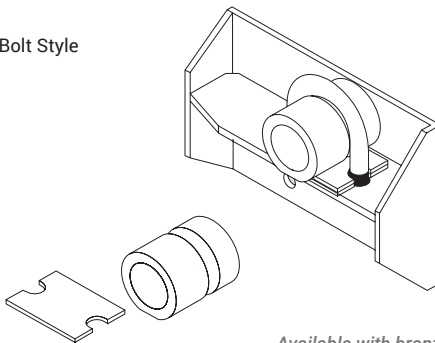


Available with bronze or stooody bushings

4 Bolt Style Foot Shaft Bracket

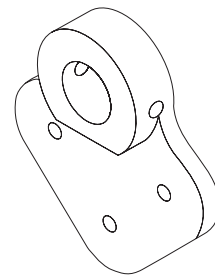


U-Bolt Style



Available with bronze or stooody bushings

Bear Claw Style Foot Shaft Bracket



We are here to help. Contact us today.
ATLAS-SSI.COM | +1 877.654.3900

ATL.SCR.316.V1.09.2021



Legal Notice: Note that any product, process or technology described in this document may be the subject of intellectual property rights owned by Atlas-SSI and are not licenced thereunder. Statements, information and data expressed herein are believed to be accurate and reliable but are made without guarantee or warranty of any kind, expressed or implied. Atlas-SSI reserves the right to make changes at any time, without notice. © Atlas-SSI 2020