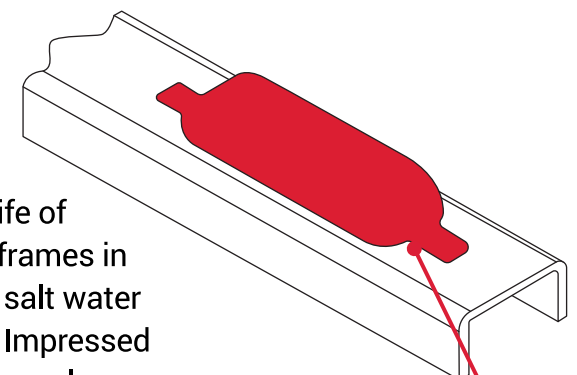


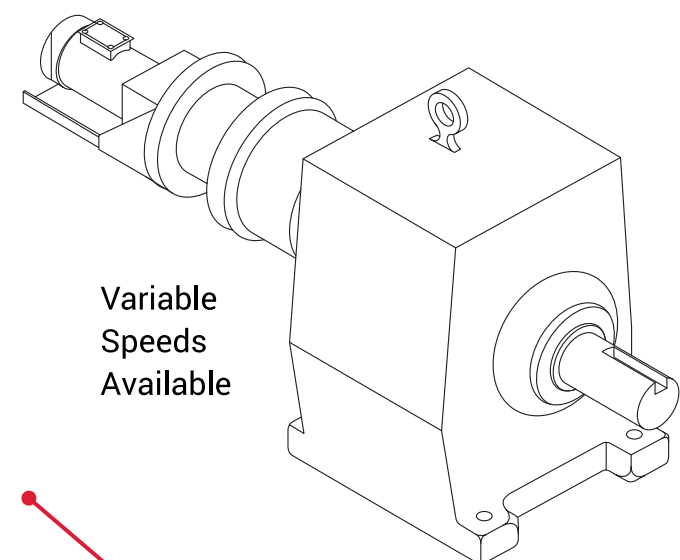
### CATHODIC PROTECTION

Extends the life of carbon steel frames in brackish and salt water applications. Impressed current systems also available.



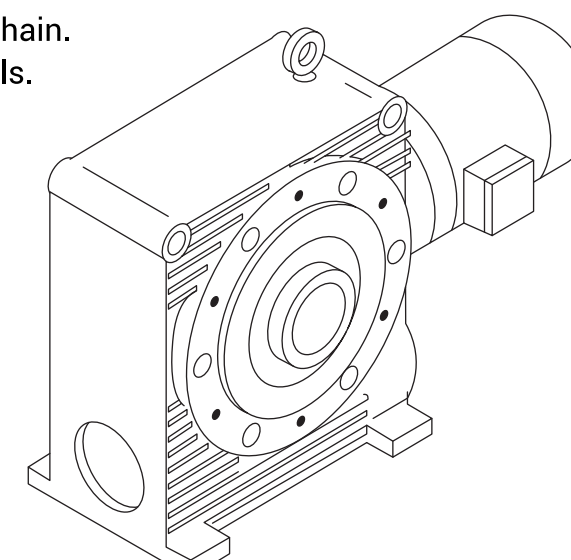
### MOTOR / REDUCER ASSEMBLY

Increased horse-power motors and reducers enable screens to run faster for rapid debris removal.



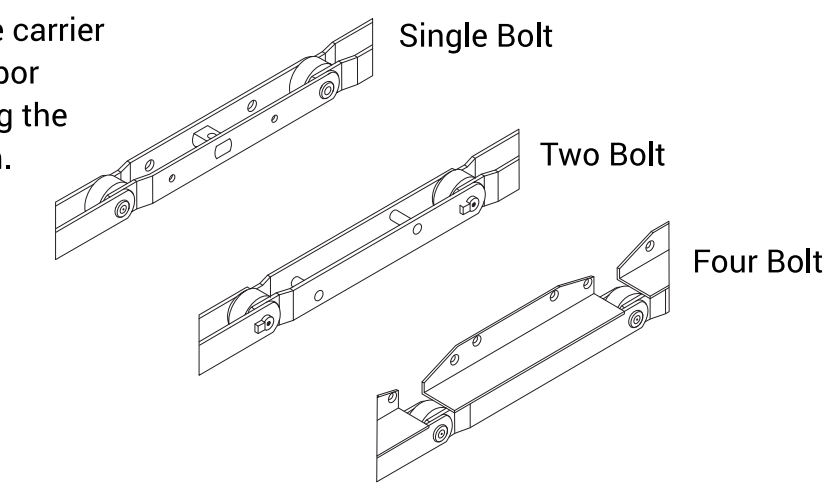
### DIRECT DRIVE ASSEMBLY

Eliminates need for drive chain. Contact Atlas SSI for details.



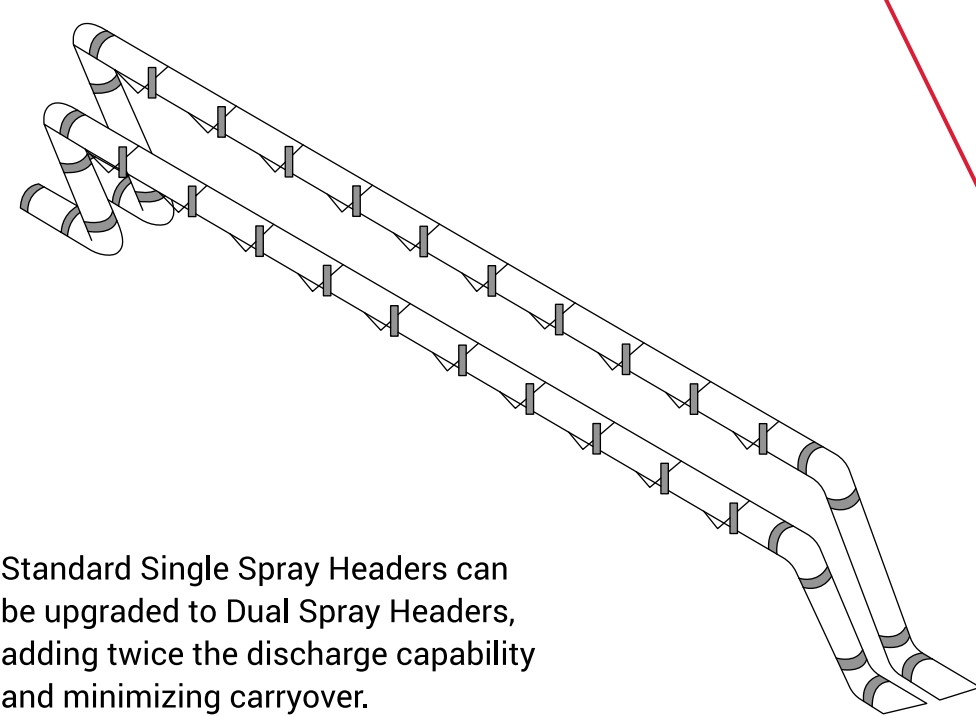
### CARRIER CHAIN

A maintenance-free carrier chain decreases labor costs by eliminating the need for lubrication.



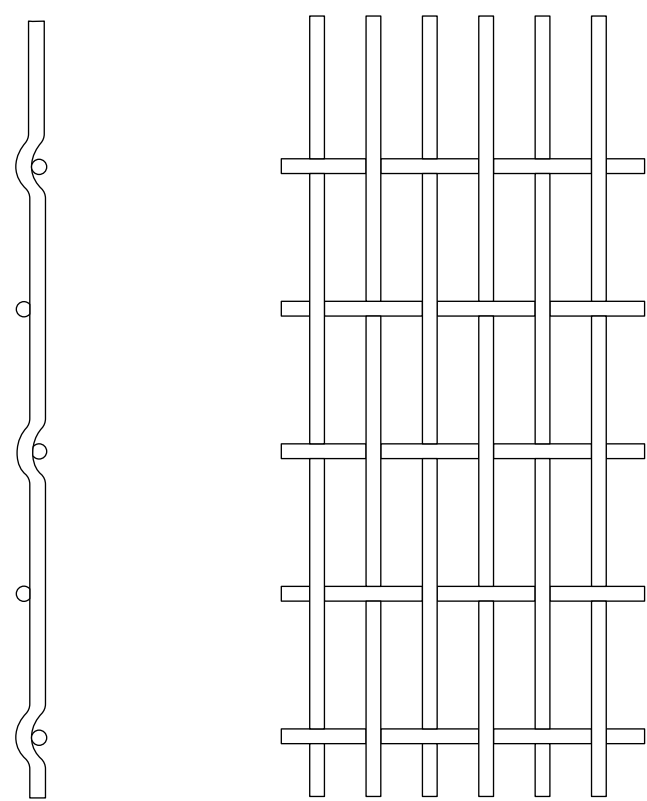
### DUAL SPRAY HEADER

Standard Single Spray Headers can be upgraded to Dual Spray Headers, adding twice the discharge capability and minimizing carryover.



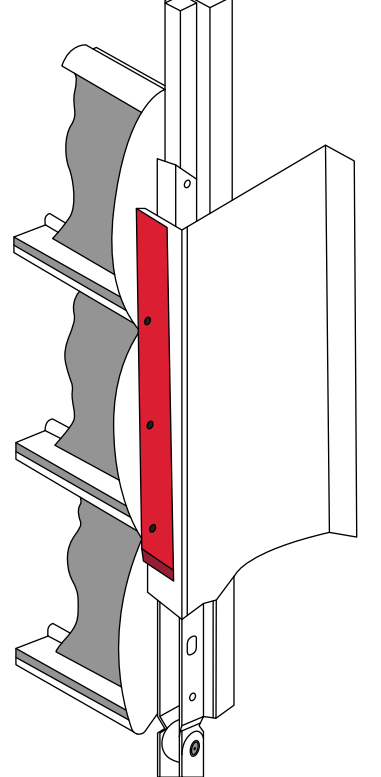
### VERTICAL SLOT MESH

Screens finer debris and is easier to clean than regular mesh.

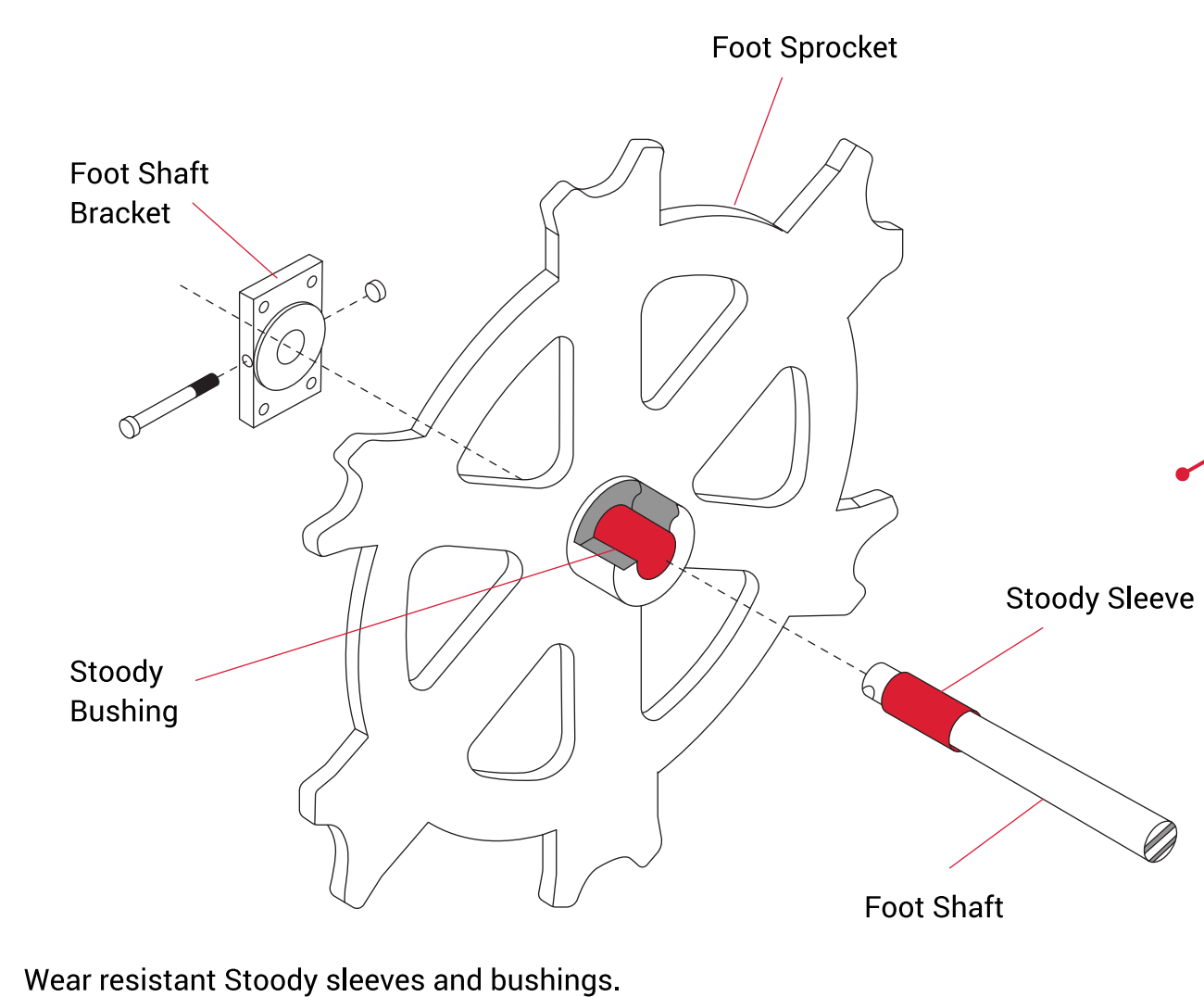


### ADJUSTABLE SEALING STRIPS

Adjustable sealing strips minimize the gap between baskets and frame.

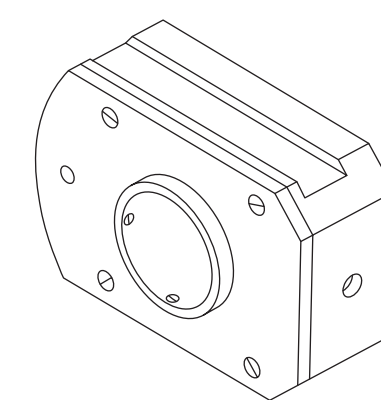


### FOOT SHAFT ASSEMBLY



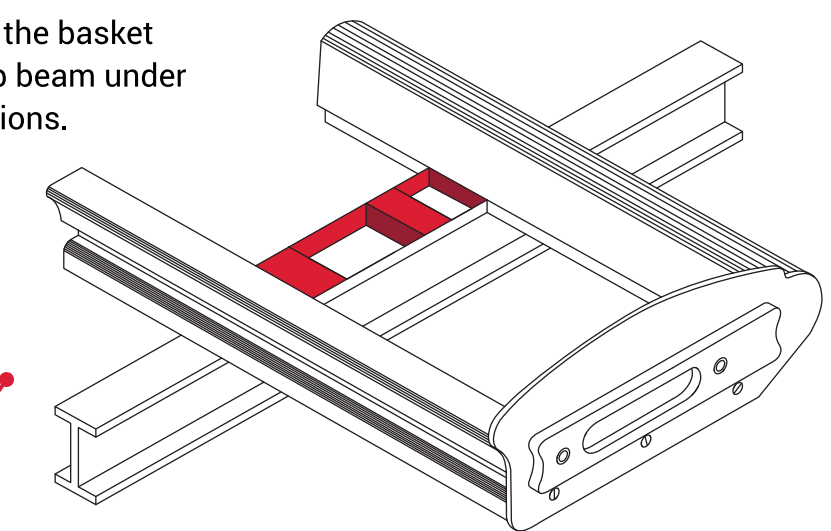
### TAKE UP BEARINGS

Long wearing anti-friction roller bearing or superior non-metallic bushing type.



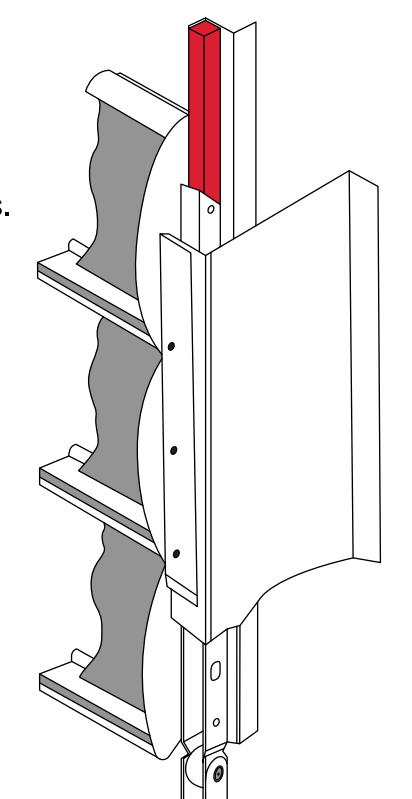
### BASKET WITH WEAR PAD

Wear pads support the basket against the back-up beam under high loading conditions.



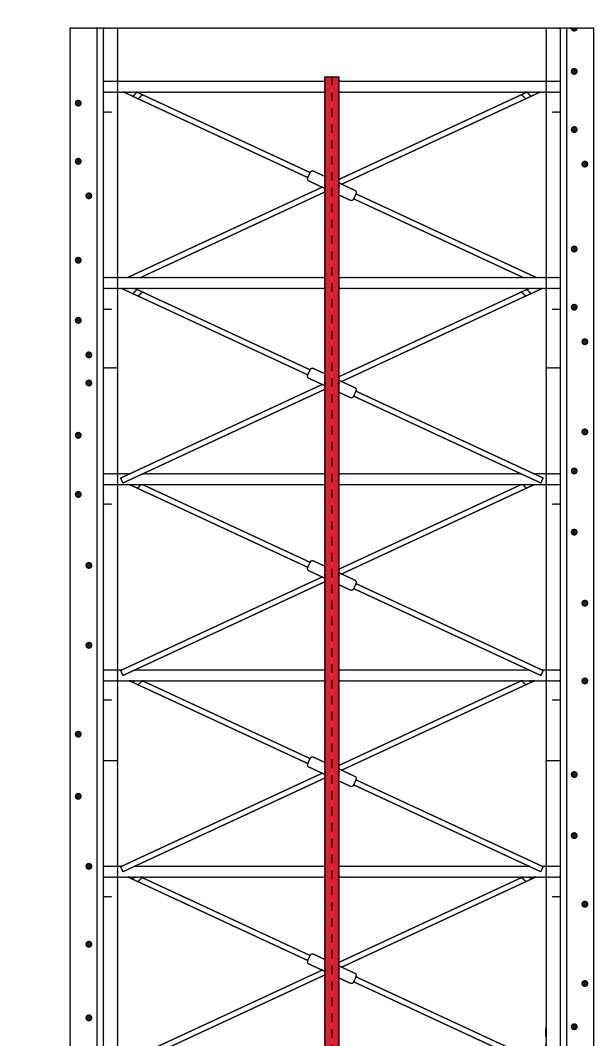
### EXTENDED LIFE WEAR BAR

Installing a replaceable hardened wear bar increases the life of the screen by reducing the wear on the chain guides.



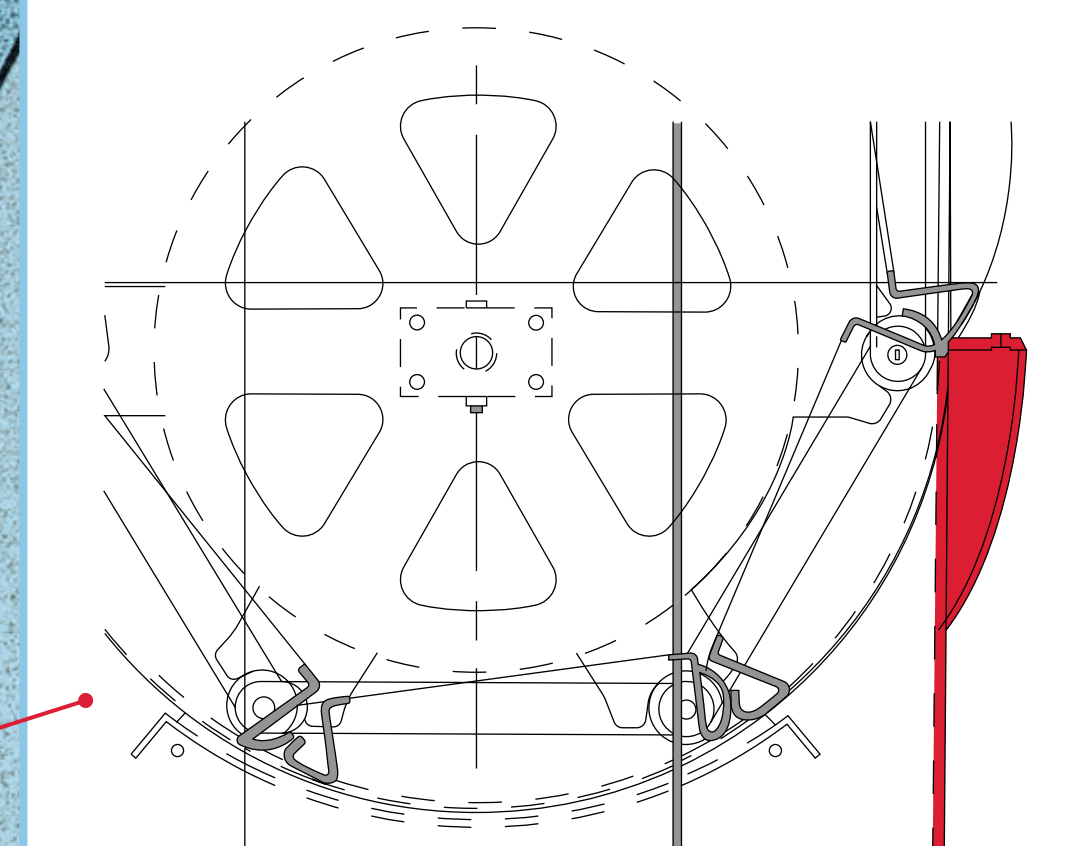
### CENTER BACK-UP BEAM

Adds support to baskets while they undergo high debris loading conditions.



### BOOT LOADING LEG

Located at the base of the screen, the Boot Loading Leg helps seal and prevent debris from collecting inside the screen.



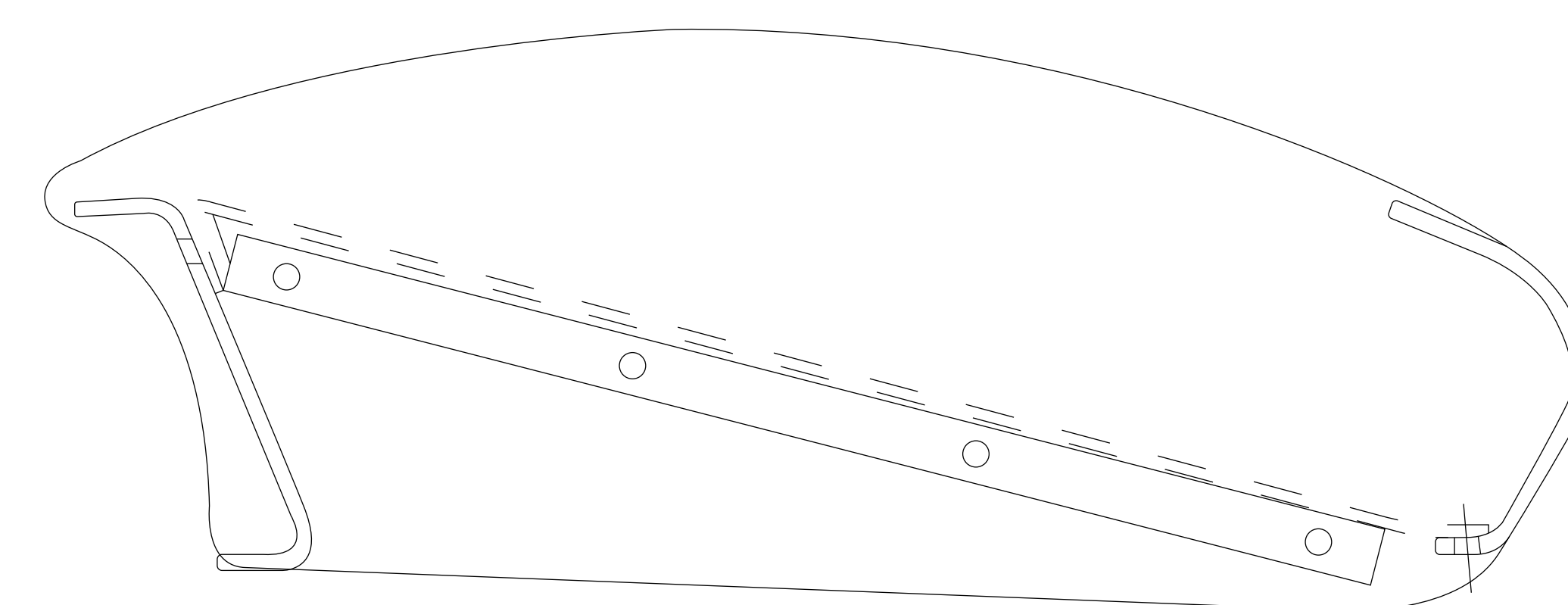
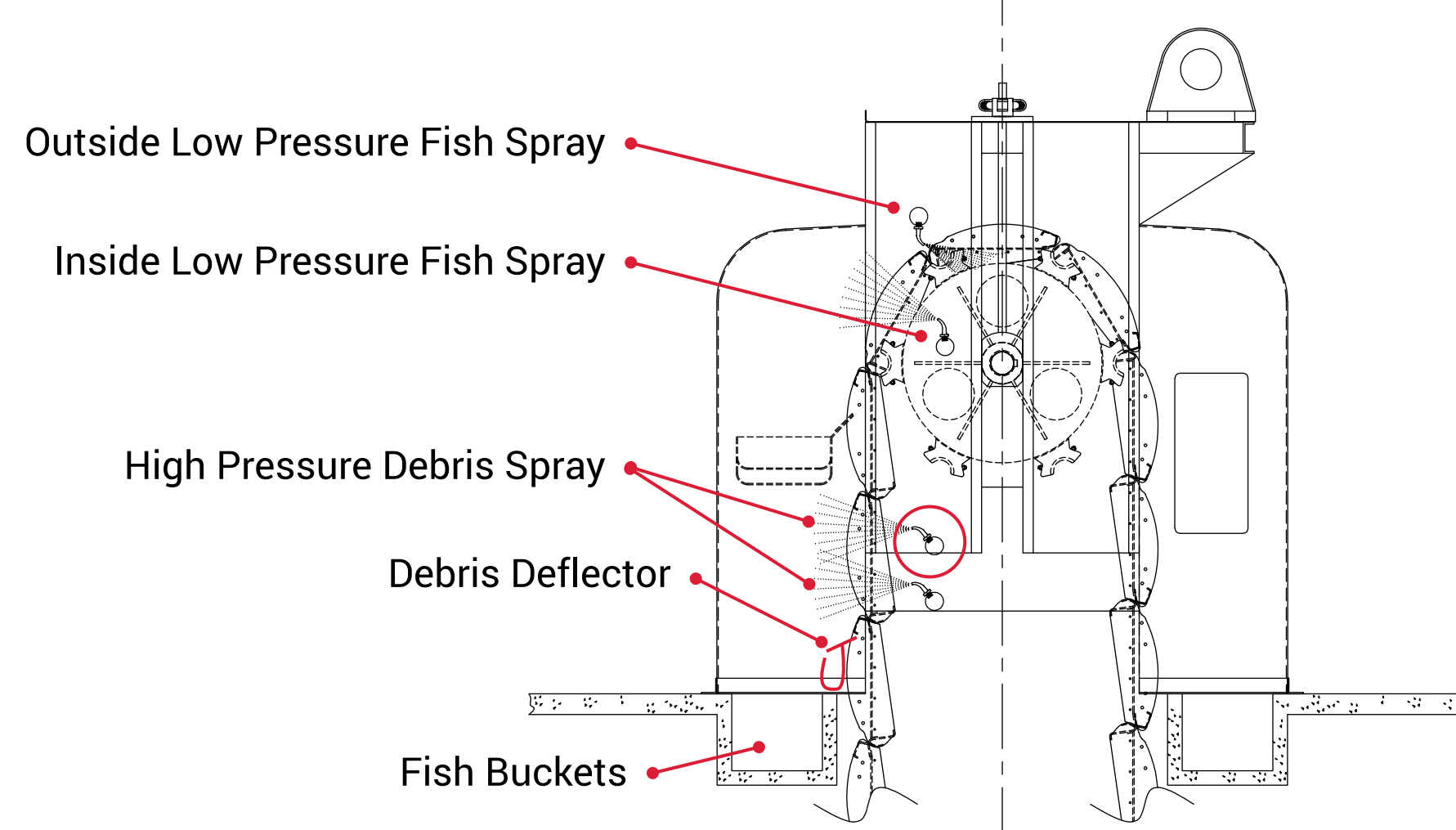
## TRAVELING WATER SCREENS

Section 316B of the Federal Water Pollution Center Act has required that some traveling water screen users implement fish handling devices. These devices minimize the adverse environmental impact on marine life that come in contact with traveling water screens.

All traveling water screens can be upgraded to fish handling designs. Atlas SSI has several engineered design modifications that significantly reduce adverse environmental effects to marine life.

The basic components to be considered are:

- Baskets with fine or vertical slot mesh and fish buckets / pans.
- Additional low pressure discharge spray headers.
- Additional above-grade return troughs.
- New splash housings and housing extensions.
- Upgraded drive assemblies for continuous running to limit fish impingement.



316B COMPLIANT MODIFIED DISTROPH BASKET